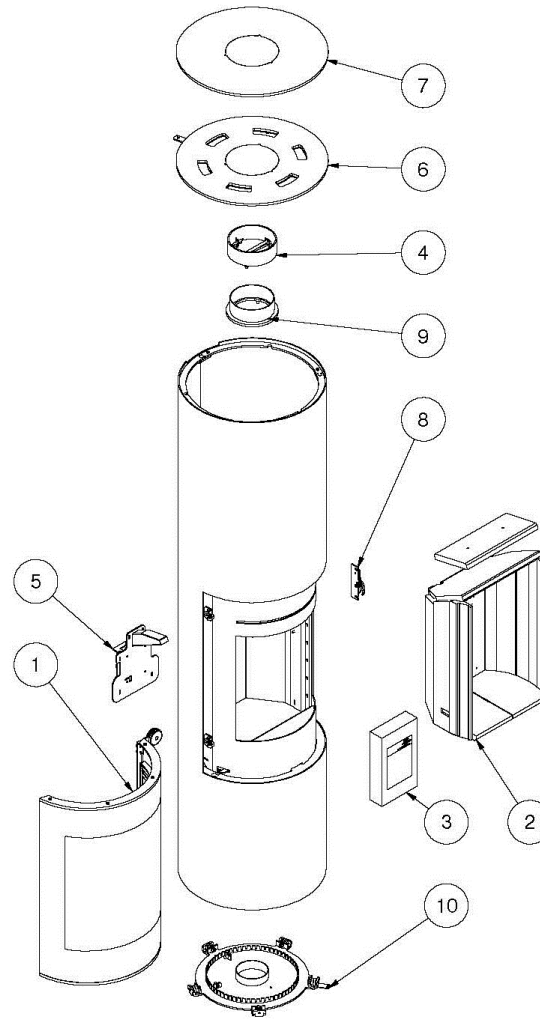
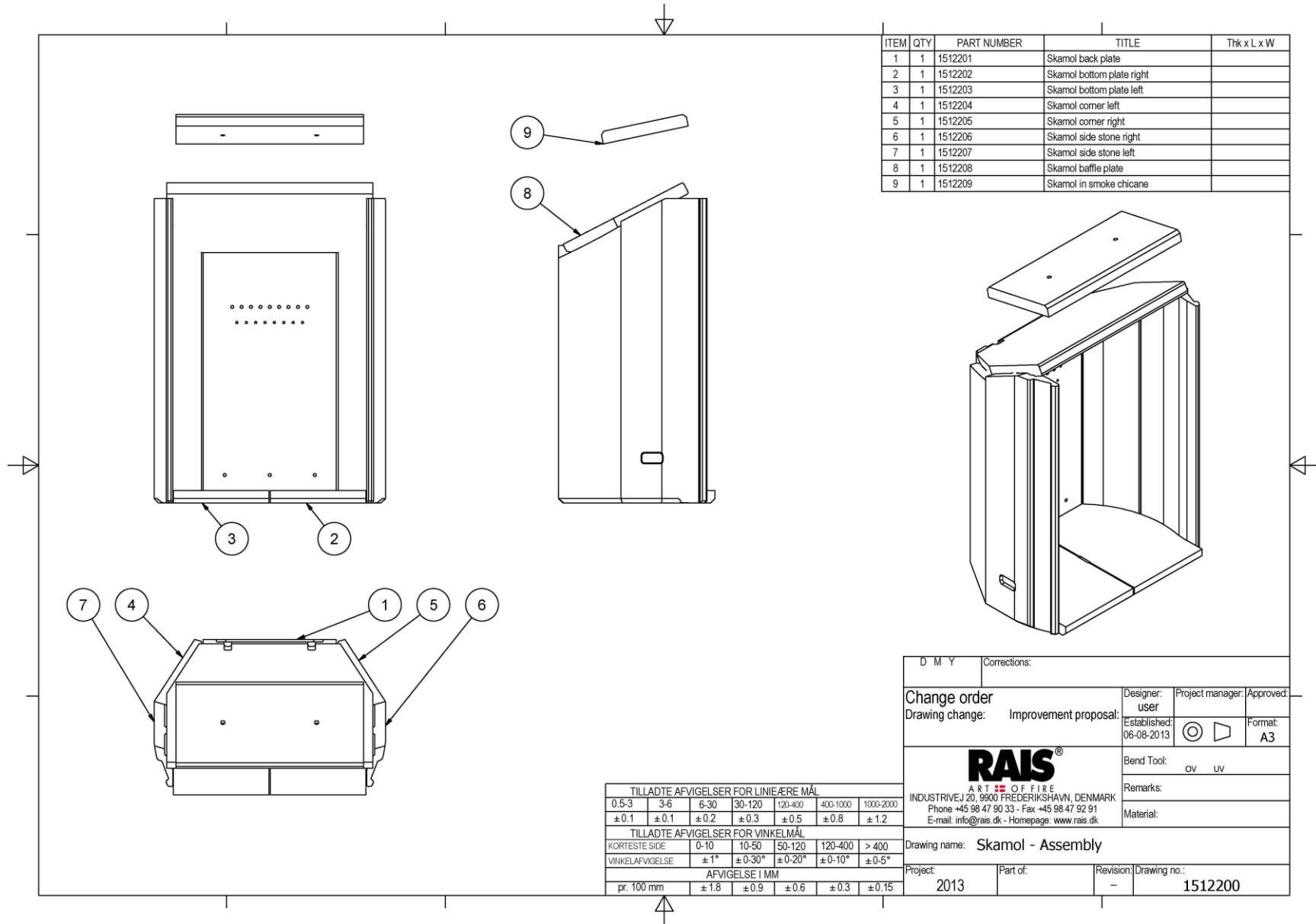


# RAIS PILAR NEW



# RAIS PILAR NEW



ITEM	QTY	PART NUMBER	TITLE	Thk x L x W
1	1	1512201	Skamol back plate	
2	1	1512202	Skamol bottom plate right	
3	1	1512203	Skamol bottom plate left	
4	1	1512204	Skamol corner left	
5	1	1512205	Skamol corner right	
6	1	1512206	Skamol side stone right	
7	1	1512207	Skamol side stone left	
8	1	1512208	Skamol baffle plate	
9	1	1512209	Skamol in smoke chicane	

D M Y	Corrections:	Designer: user		Project manager:	Approved:
Change order		Drawing change: Improvement proposal		Established: 06-08-2013	Format: A3
 <small>ART OF FIRE</small> INDUSTRIVEJ 20, 9900 FREDERIKSHAVN, DENMARK Phone +45 98 47 90 33 - Fax +45 98 47 92 91 E-mail: info@rais.dk - Homepage: www.rais.dk		Bend Tool: <input type="checkbox"/> ov <input type="checkbox"/> uv		Remarks:	
		Material:			
Drawing name: Skamol - Assembly					
Project: 2013	Part of:	Revision: -	Drawing no.: 1512200		

TILLADTE AFVIGELSER FOR LINJÆRE MÅL						
0,5-3	3-6	6-30	30-120	120-400	400-1000	1000-2000
±0.1	±0.1	±0.2	±0.3	±0.5	±0.8	±1.2

TILLADTE AFVIGELSER FOR VINKELMÅL					
KORTESTE SIDE	0-10	10-50	50-120	120-400	> 400
VINKELAFVIGELSE	±1°	±0-30°	±0-20°	±0-10°	±0-5°

AFVIGELSE I MM					
pr. 100 mm	±1.8	±0.9	±0.6	±0.3	±0.15