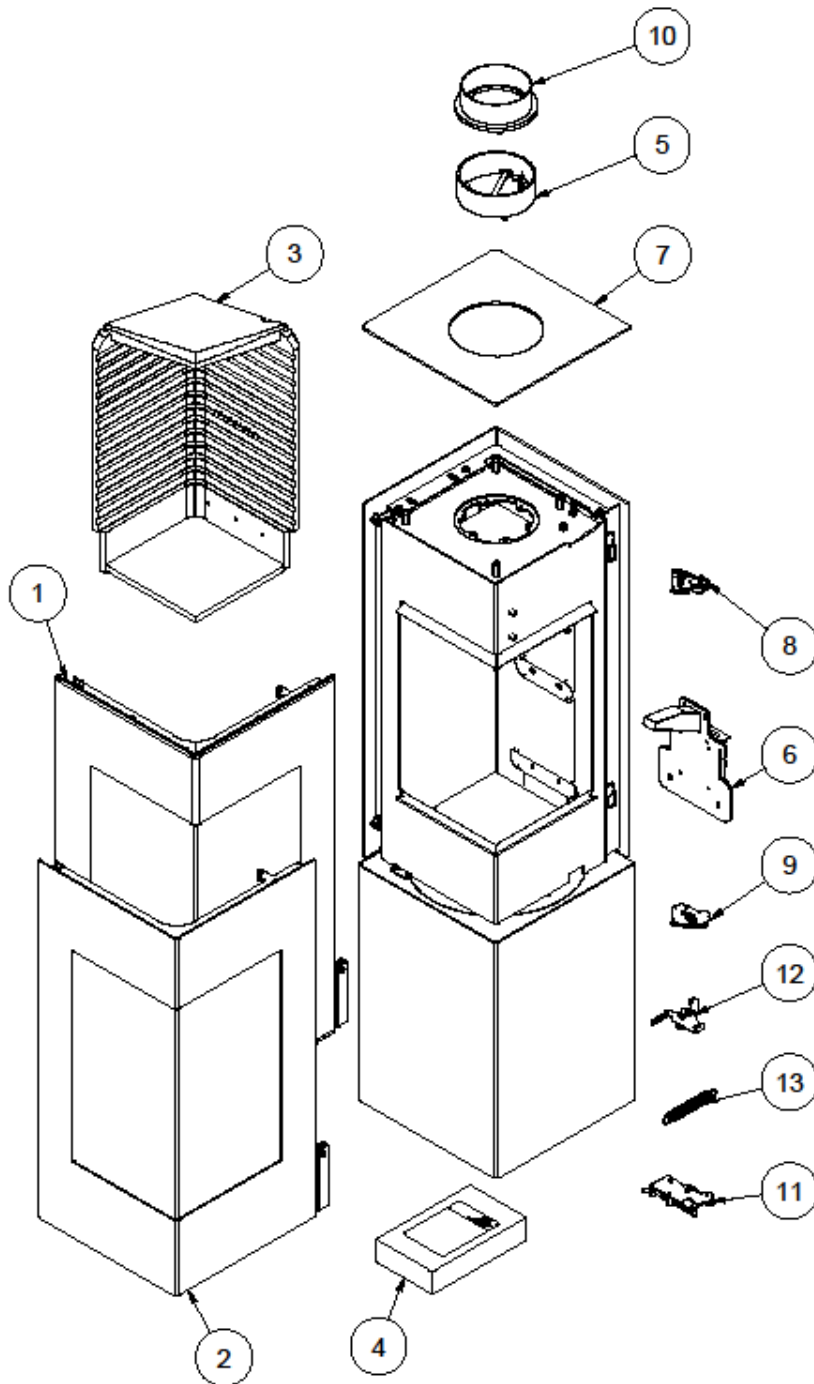
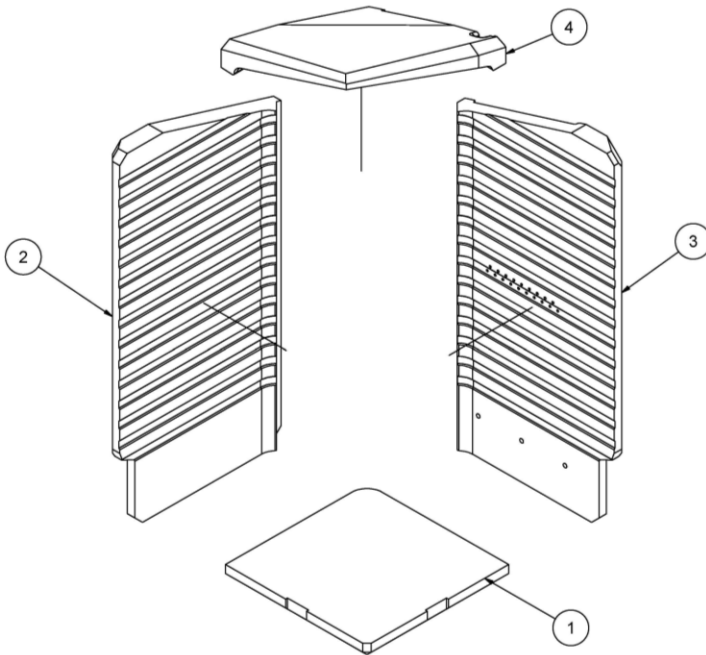


RAIS Q-BE



RAIS Q-BE

ITEM	QTY	PART NUMBER	TITLE	Thk x L x W
1	1	1612202	Skamol bottom	
2	1	1612201	Skamol left	
3	1	1612206	Skamol right	
4	1	1612208	Skamol top	



D M Y	Corrections:			
Change order		Designer: sbv	Project manager: SBV	Approved:
Drawing change: Improvement proposal:		Established: 09-02-2015	Format: A3	
RAIS [®] ART OF FIRE INDUSTRIVEJ 20, 9600 FREDERIKSHAVN, DENMARK Phone +45 98 47 90 33 - Fax +45 98 47 92 91 E-mail: info@rais.dk - Homepage: www.rais.dk		Bend Tool: qv uv		
		Remarks:		
		Material:		
Drawing name: Skamol - Complete				
Project: _____ Part of: _____ Revision: _____ Drawing no.: _____				