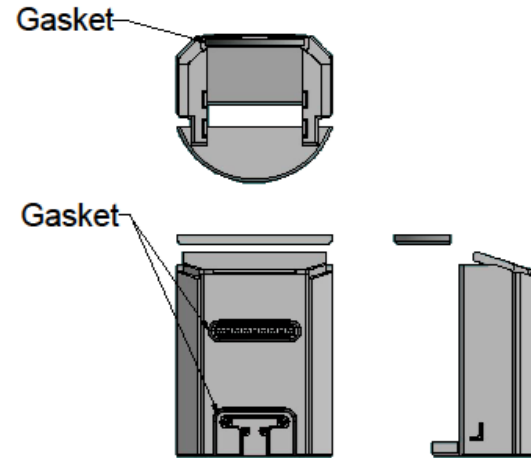
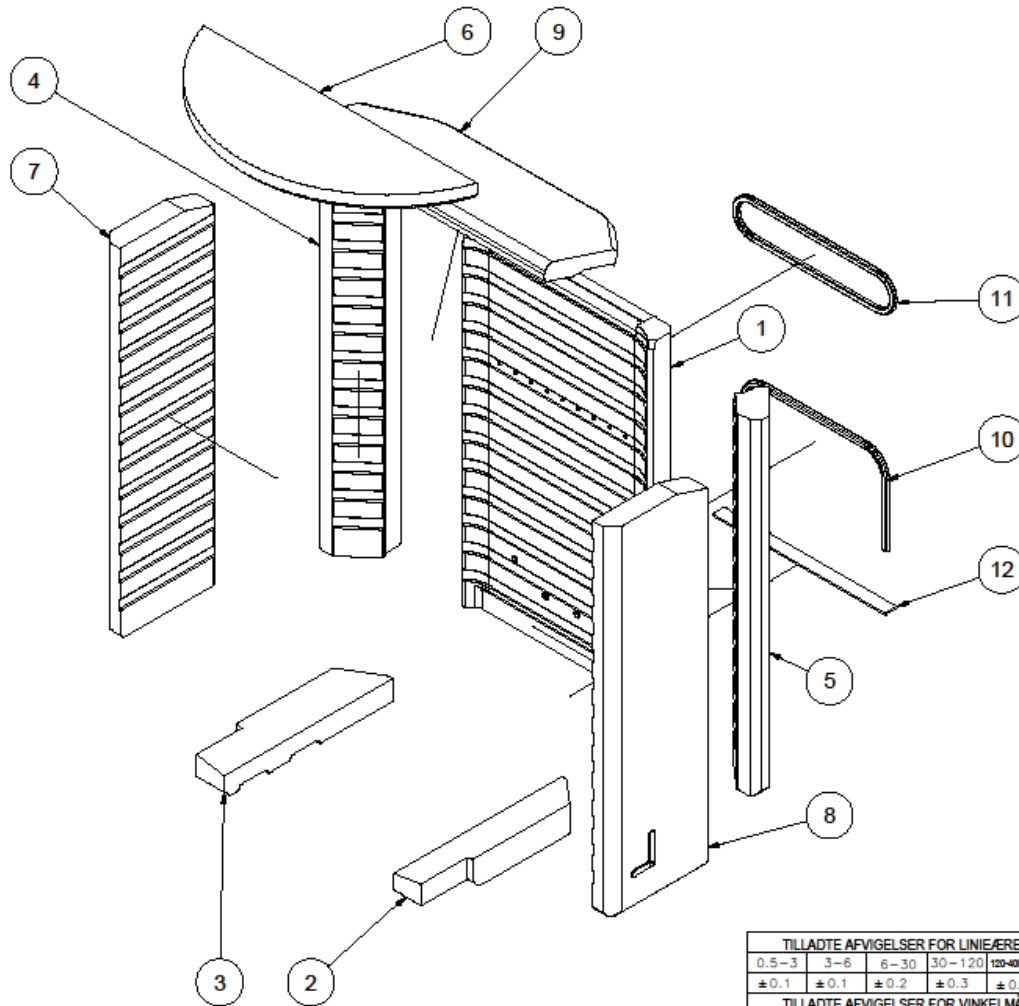


RAIS RINA



ITEM	QTY	PART NUMBER	TITLE	Thk x L x W
1	1	1312201	Back stone	
2	1	1312202	Bottom stone - Right	
3	1	1312203	Bottom stone - Left	
4	1	1312204	1312204.ipt	
5	1	1312205	1312205.ipt	
6	1	1312206	Upper channel insulation	
7	1	1312207	Side stone - Left	
8	1	1312208	1312208.ipt	
9	1	1312209	Baffle plate 1	
10	1	0005507	Strikket pakning sort ø6 mm	
11	1	0005507	Strikket pakning sort ø6 mm	
12	1	0005502	Glasbånd 10x2mm sort m/tape	

D M Y Corrections:
03-12-2014 Sealing changed

Change order	Designer: sbv	Project manager: Skamol A/S	Approved: ks
Drawing change: Improvement proposal:	Established: 24-06-2011	Format: A3	

RAIS[®]
ART OFFICE

INDUSTRIVEJ 20, 9900 FREDERIKSHAVN, DENMARK
Phone +45 98 47 90 33 - Fax +45 98 47 92 91
E-mail: info@rais.dk - Homepage: www.rais.dk

Bend Tool: ov uv

Remarks:

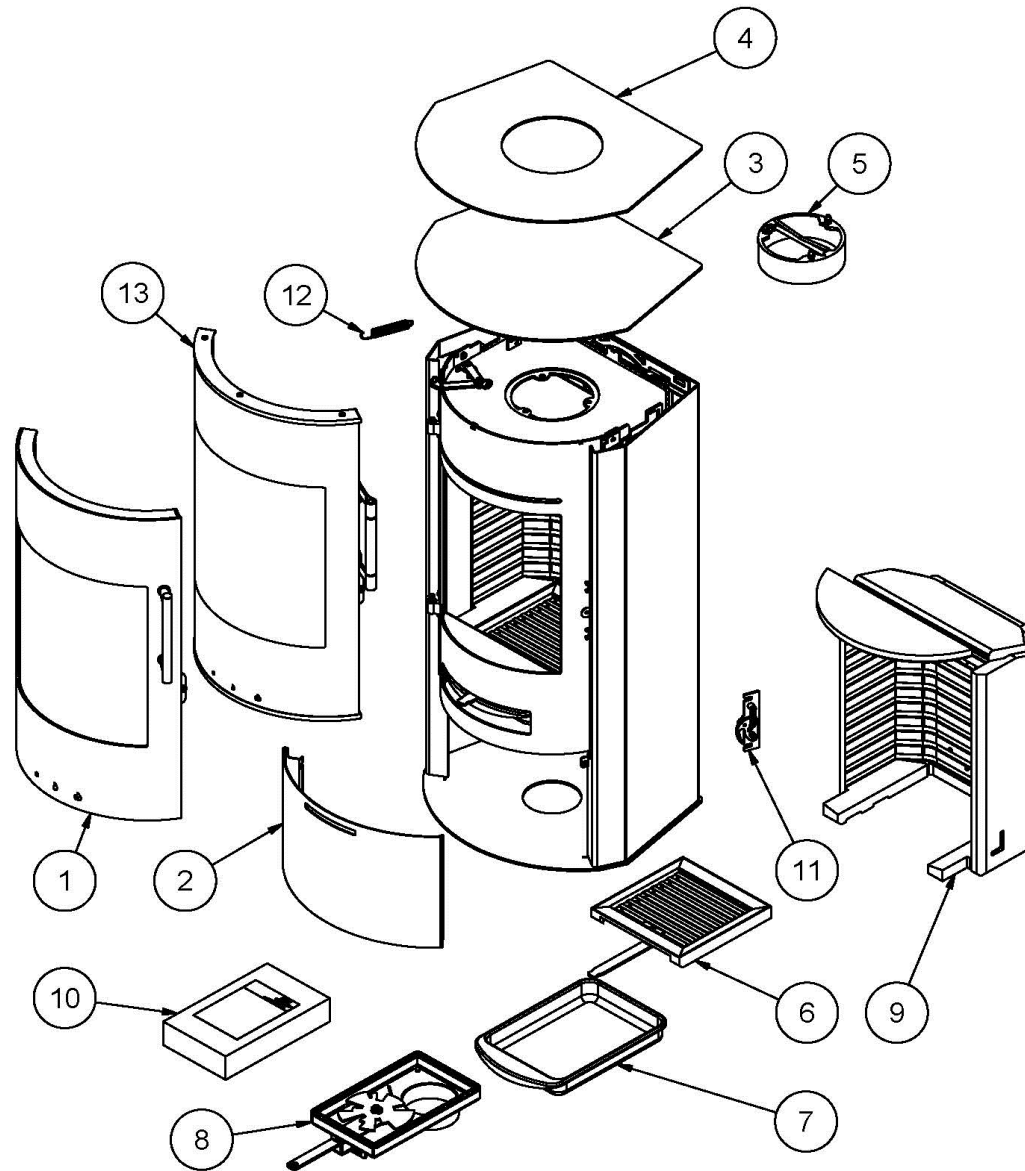
Material:

Drawing name: Firebrick set

Project: 2011	Part of:	Revision: B	Drawing no.: 1312200
---------------	----------	-------------	----------------------

TILLADTE AFVIGELSER FOR LINEÆRE MÅL						
0,5-3	3-6	6-30	30-120	120-400	400-1000	1000-2000
±0,1	±0,1	±0,2	±0,3	±0,5	±0,8	±1,2
TILLADTE AFVIGELSER FOR VINKELMÅL						
KORTESTE SIDE	0-10	10-50	50-120	120-400	> 400	
VINKELAFVIGELSE	± 1'	± 0-30'	± 0-20'	± 0-10'	± 0-5'	
AFVIGELSE I MM						
pr. 100 mm	± 1,8	± 0,9	± 0,6	± 0,3	± 0,15	

RAIS RINA



RAIS RINA